

COBRA X PRO[®]

– auto glass repair and replacement systems



The market's fastest, best and most user-friendly solutions



Registered design



Registered design



Danish design
Made in Denmark



Demonstration videos on
cobraxpro.com

Unique technology, tools in registered design, accessories and consumables

Our programme of tools, accessories and consumables for professional auto glass repair has been developed and tested in collaboration with leading specialists in the automotive glass industry.

The programme includes technology and tools in registered design that position us as a leading supplier of solutions within repair and replacement of auto glass.

The product range is also offered in private label brand to wholesalers in the automotive industry, which in addition to thorough training (training academy) also receives marketing material - including videos made available.



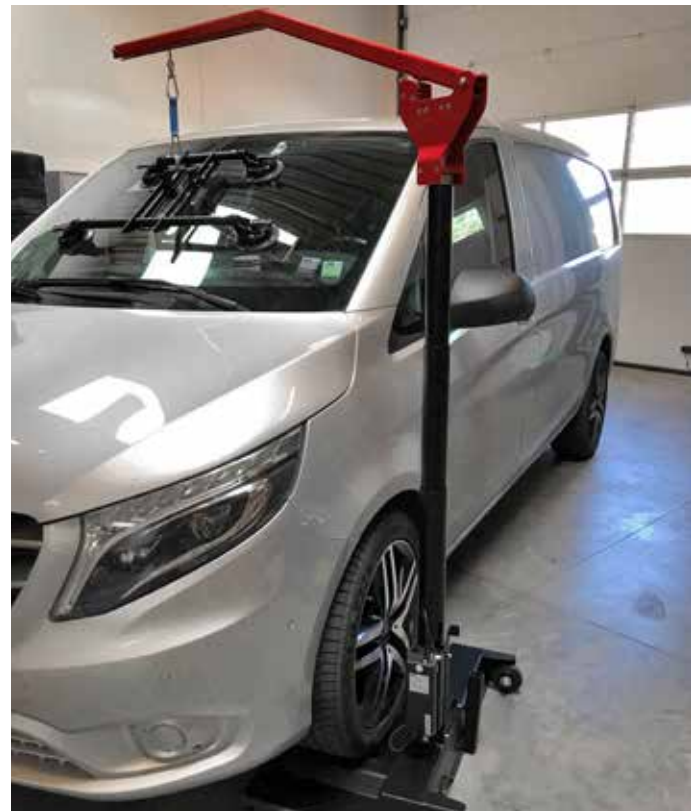
Auto glass chip repair

In windscreen chip repair, we set completely new standards for speed, simplicity and repair quality. Compared to other repair systems - with a minimum of training - stone chip repairs can be carried out in just 5 minutes and with a success rate of 95-98%.

The repair process requires neither access to power nor vacuum equipment, is mobile and can therefore also be performed at the customer.

Depending on the need, the repair kits are available in four different versions. The contents and the necessary consumables can be ordered separately.

Get detailed information on the following pages ...



Auto glass replacement

With in-house developed tools, we also set new standards for speed, simplicity and repair quality within autoglass removal.

By using our cutting set, the cutting work - with a minimum of training - can not only be performed much faster, but also by just one person and with all types of cutting wire/thread.

Depending on the need, the cut-out kits are available in two different versions. The contents and the necessary consumables can be ordered separately.

Get detailed information on the following pages ...

New standard for both speed, simplicity, repair quality and mobility

There are several chip repair systems on the market, but no other performs as well on the four most important parameters:

- Speed
- Simplicity
- Repair quality
- Mobility

Chip repair in just 5 minutes

With our 3-in-1 process, a chip repair can be performed in just 5 minutes. After ordinary preparation and cleaning of the chip, the following process steps are performed with our in-house developed repair bridge in registered design:

1. Heating to 60° C and cooling to 20° C in 3 min.
2. Filling and pressure/vacuum process of 60 sec.
3. Curing (LED UV curing 30 sec. and with 95-98% invisibility after curing)



Everyone can do chip repairs after a brief introduction

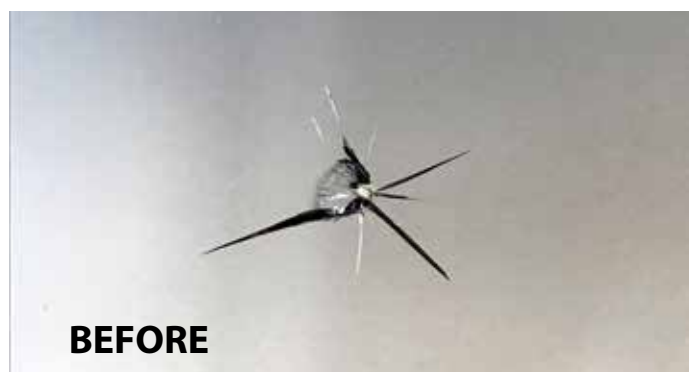
Our system is so simple to work with that EVERYONE - after a short introduction - can do the work. So no special prerequisites are needed. It is therefore obvious for car repair shops to offer their customers this service.



Nice and long lasting repairs

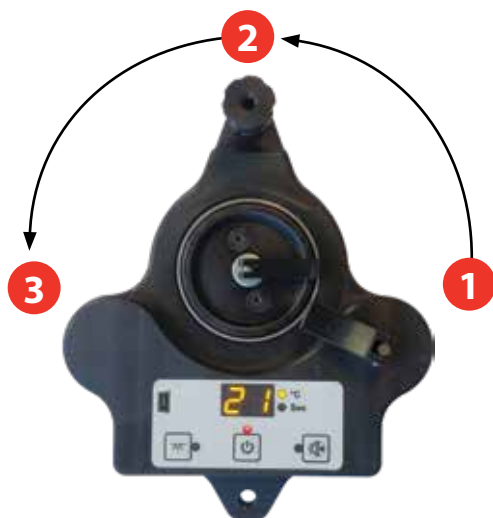
Our specially developed resin differs in several ways. The special viscosity of the resin ensures that it flows out into even the smallest cracks, which has an impact on how efficiently the cracks in the damaged area are joined together and thereby the quality and service life of the repair. The resin also differs by not yellowing over time. This results in a nicer repair.

But also our pit filler differs in several areas. Like the resin, it does not yellow over time and in addition it is characterized by a very high wear resistance. This ensures both a long service life and a nicer repair.



In the workshop or on the road

Most stone chip repair processes include the use of vacuum technology, which often makes mobile use a challenge. With our in-house developed pressure/vacuum tool in registered design, repairs can be carried out at the customer's as well as in the workshop. A stone chip repair requires NO access to electricity.



In private label and with everything you need to get off to a good start

The product range is also offered in private label to wholesalers in the automotive aftermarket. In addition to the mandatory training and coaching of the wholesaler's staff, we also offer marketing material so that you as a wholesaler get off to a good and quick start, for example:

- Brochures
- Demonstration video with own employees
- Website setup with customer support function
- Sticker for covering chip with contact details





K4200i

Article #	Description
K4200i-3	Automatic vacuum system
K4200i-2	Blue tube with quick connections, for K4200i-3
K4213-2	Repair bridge 3-in-1
3027	Charging cable
K4221-1	Glass drill machine 3,6 V incl. charging cable
K4212-5	Glass drills ball ended x 5
K4208-1	Pressure/vacuum piston and syringe
K4220	Slide hammer
K4230	Curing film square x 5
K4210	Curing film roll
K4211	Razor blades x 5
K4205	Pit filler 5 ml
K4214-1	Mirror with suction cup adjustable
910008	Syringe and needle
K4207-1	Gel 10 ml
K4202	Crack resin 5 ml
K4206-1	Polish 10 ml
3012	Box for K4200C and K4200H
2060	Lighter
4008	Adapter 220 V
K4202-2	Resin set (10 x pipette)
4008-i	Adapter 12,6V
K4215-i	UV-led lamp, 30cm
K4208-i	Air injector



K4200i-1

Article #	Description
K4200i-3	Automatic vacuum system
K4200i-2	Blue tube with quick connections, for K4200i-3
K4213-3	Repair bridge 2-in-1 unit
3027	Charging cable
K4221-1	Glass drill machine 3,6 V incl. charging cable
K4212-5	Glass drills ball ended x 5
K4208-1	Pressure/vacuum piston and syringe
K4220	Slide hammer
K4230	Curing film square x 5
K4210	Curing film roll
K4211	Razor blades x 5
K4205	Pit filler 5 ml
K4214-1	Mirror with suction cup adjustable
910008	Syringe and needle
K4207-1	Gel 10 ml
K4202	Crack resin 5 ml
K4206-1	Polish 10 ml
3012	Box for K4200C and K4200H
2060	Lighter
4008	Adapter 220 V
K4202-2	Resin set (10 x pipette)
4008-i	Adapter 12,6V
K4215-i	UV-led lamp, 30cm
K4208-i	Air injector





K4200C

Article #	Description
K4213-2	Repair bridge 3-in-1
K4213	Repair bridge
K4215A	UV-led lamp 30 sec. curing time
3027	Charging cable
K4221-1	Glass drill machine 3,6 V incl. charging cable
K4212-5	Glass drills ball ended x 5
K4208-1	Pressure/vacuum piston and syringe
K4220	Slide hammer
K4219	Crack expander
K4230	Curing film square x 5
K4210	Curing film roll
K4211	Razor blades x 5
K4205	Pit filler 5 ml
K4214-1	Mirror with suction cup adjustable
910008	Syringe and needle
K4207-1	Gel 10 ml
K4202	Crack resin 5 ml
K4206-1	Polish 10 ml
3012	Box for K4200C and K4200H
2060	Lighter
4008	Adapter 220 V
K4202-2	Resin set (10 x pipette)
K4202-3	Crack resin set 1 (K4208-1, 910008, K4202)
K4202-4	Pit filler set 2 (K4211, K4230, K4205)



See online



Demonstration videos on
cobraxpro.com





K4200H

Article #	Description
K4213-2	Repair bridge 3-in-1
K4221-1	Glass drill machine 3,6 V incl. charging cable
K4212-5	Glass drills ball ended x 5
K4208-1	Pressure/vacuum piston and syringe
K4220	Slide hammer
K4230	Curing film square x 5
K4210	Curing film roll
K4211	Razor blades x 5
K4205	Pit filler 5 ml
K4214-1	Mirror with suction cup adjustable
910008	Syringe and needle
K4207-1	Gel 10 ml
K4202	Crack resin 5 ml
K4206-1	Polish 10 ml
3012	Box for K4200C and K4200H
2060	Lighter
4008	Adapter 220 V
K4202-2	Resin set (10 x pipette)
K4202-3	Crack resin set 1 (K4208-1, 910008, K4202)
K4202-4	Pit filler set 2 (K4211, K4230, K4205)



See online



Removable insert in K4200C and K4200H.

Easily removed from the case and placed on the windscreen. This way you have everything at your fingertips regardless of working conditions.



K4200D

Article #	Description
K4213-2	Repair bridge 3in1
3027	Charging cable
K4214	Mirror with suction cup
K4208-1	Pressure/vacuum piston and syringe
K4230	Curing film square x 5
K4211	Razor blades x 5
K4202	Crack resin 5 ml
K4205	Pit filler 5 ml
K4206-1	Polish 10 ml
910008	Syringe and needle
3010	Box for K4200D



See online



K4200G

Article #	Description
K4213-3	Repair bridge 2-in-1 unit
K4221-1	Glass drill machine 3,6 V rechargeable
K4208-1	Vacumm injector plastic
K4211	Razor blades x 5
K4230	Curing film square x 5
K4205	Pit filler 5 ml
4026	Carbide Probe
k4202-2	Crack resin set (10 x pipette/ampoule)
K4212-5	Glass drills ball ended 5 pcs
K4214-1	Mirror w/suctioncup flexible
K4206-1	Polish (10 ml)
4029	Cartonbox
4030	Foam 2-in-1 set



See online



K4202
Crack resin 5 ml



K4202-3
Crack resin set 1 (K4208-1, 910008, K4202)



K4203
Crack resin 20 ml



K4204
Crack resin 50 ml



K4202-2
Resin set (10 x pipette)



K4202-1
Resin set 1 (K4208-1, K4202-2)



K4205
Pit filler 5 ml



K4202-4
Pit filler set 2 (K4211, K4230, K4205)



K4206
Polish 20 ml



K4206-1
Polish 10 ml



K4207
Gel 50 ml



K4207-1
Gel 10 ml



K4208-1
Pressure/vacuum piston and syringe



K4225
Gasket for K4208-1



K4209
Syringe and needle x 5



3015
Syringe



AUTO GLASS REPAIR CONSUMABLES



910008
Syringe and needle



K4211
Razor blades x 5



910024A
Razor blades x 100



K4230
Curing film square x 5



K4210
Curing film roll



910009
Curing film x 5



K4212-5
Glass drills ball ended x 5



910010C
Glass drills cylindrical



K4212
Glass drills ball ended



K4223
Suction cup set for UV-lamp
and crack expander x 4



910028
Resin 01 3 ml



910028A
Resin 01 5 ml



910028B
Resin 01 10 ml



910003
Resin 1 3 ml



910003A
Resin 1 5 ml



910003B
Resin 1 10 ml



910002
Resin 1,6 3 ml



910002A
Resin 1,6 5 ml



910002B
Resin 1,6 10 ml



910004
Resin 2 3 ml



910004A
Resin 2 5 ml



910004B
Resin 2 10 ml



910022
Pit filler 3 ml



910022A
Pit filler 5 ml



910022B
Pit filler 10 ml



910023
Cup lub 10 ml



910013
Polish 10 ml



910007
Gasket for injector 910018



3018
Circuit board for K4213-2



4004
Battery 3,6 V for previous model of drill



4008
Adapter 220 V



3027
Charging cable



AUTO GLASS REPAIR CONSUMABLES



3010
Box for K4200D



3012
Box for K4200C and K4200H



4029
Cardboard box for K4200G



4030
Foam inlay for K4200G



Demonstration videos on
cobraxpro.com





K4213-2
Repair bridge 3-in-1



K4213-3
Repair bridge 2-in-1 unit



K4213-1
Repair bridge aluminium with suction cup



910019
Repair bridge aluminium with suction cup



K4213
Repair bridge



K4214
Mirror with suction cup



K4214-1
Mirror with suction cup adjustable



910016
Mityvac press/vacuum pump



K4215A
UV-led lamp 30 sec. curing time



K4221-1
Glass drill machine 3,6V incl. charging cable



K4219
Crack expander



K4220
Slide hammer



4026
Carbide Probe



2060
Lighter



k4227
Tip for slide hammer

AUTO GLASS REPLACEMENT

Fast auto glass removal performed by just one person

There are several auto glass removal systems on the market, but ours excels in particular in the following areas.

- Speed
- Resource consumption
- Also suitable for difficult autoglass types



Simple and effective threading

For all wire/thread types

We have systems that can be used with all wire types:

- Triangular wire
- Square wire
- Fiber thread (tensile strength 260 kg)



Thread lead in with thread starter

Suitable for difficult autoglass types

On many car and van models, space conditions can be a challenge. In such cases, standard tools can not be used without damaging the vehicle. Our auto glass removal technology, on the other hand, is suitable for all types and in the case of:

- Limited space conditions
- The vehicle is a van



Anchor with suction cup

1-man windscreen cut-out

In our systems containing the cut-out unit, the unit functions as an extra hand. For this reason, window cutting can be done by just one person. The cut-out unit is easily moved 4-5 times in connection with the cut-out process.



Cut-out - 1-man windscreen cut-out

Interior protection

When using our two types of protectors

- Dashboard panel with suction cup
- Dashboard panel, straight

it is easy to avoid damaging the interior during the cut-out process.



Everyone can - after a short introduction - do the work

Our cut-out system is super easy to use and everyone can do a autoglass removal after a short introduction.



In private label and with everything you need to get off to a good start

The product range is also offered in private label to wholesalers in the automotive aftermarket. In addition to the mandatory training and coaching of the wholesaler's staff, we also offer marketing material so that you as a wholesaler get off to a good and quick start, for example:

- Programme brochure
- Demonstration video with own employees
- Website setup with customer support function





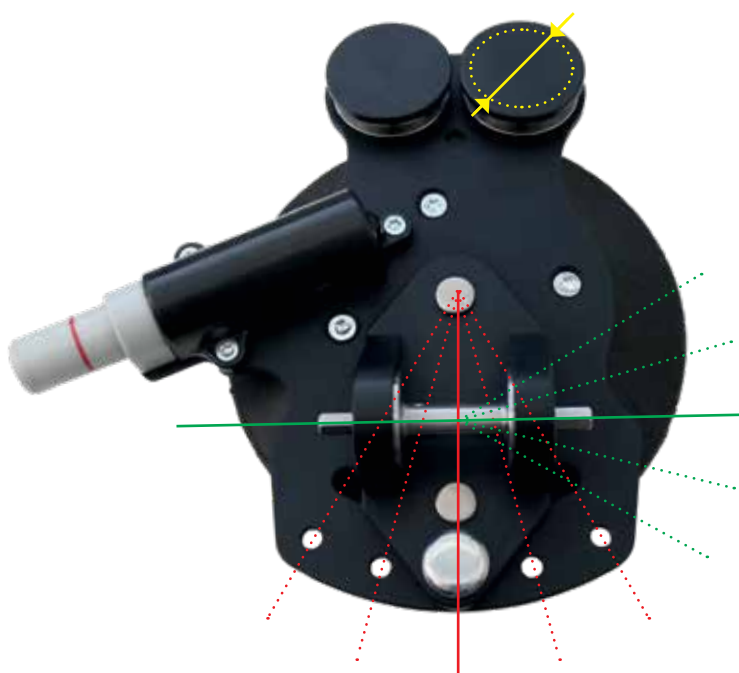
K4500C-2

Article #	Description
K4500C-2B	Cut-out unit
3014	Suction cup for holding the wire Cut-out
K4500K	Direct wire feeder with T-handle with hole
K4500L	Dashboard protector with suction cups
R840049A	Plast protector angle
3022	Bitsholder
3023	Stanley knife
K45HGF-5	Fiberline tensile strength 260kg
R930020D	Triangular wire 50 m spec. for Cut-out
3011	Box for K4500C-2



See online

K4500C-2B - our brand new and adjustable cut-out unit with many advantages!



- Adjustability for optimal placement of wheels in proportion to windscreen corners so that the angle of the cutting wire is always optimal.
- Bigger wheels - i.e. larger contact surface as well as detensioning of the cutting wire.
- Adjustability for screwdriver attachment in the case of space constraints.

[See more information about K4500C-2B on page 23](#)



K4500C-1

Article #	Description
K4500C-1B	Cut-out unit
3014	Suction cup for holding the wire Cut-out
K4500K	Direct wire feeder with T-handle with hole
K4500L	Dashboard protector with suction cups
R840049A	Plast protector angle
3022	Bitsholder
3023	Stanley knife
K45HGF-5	Fiberline tensile strength 260kg
R930020D	Triangular wire 50 m spec. for Cut-out
3011	Box for K4500C-2



See online



K4500

Article #	Description
K4513	Self locking wire handle with suction cup
2086-2087	Quick connection
K4500L	Dashboard protector with suction cups
R840049A	Plast protector angle
K4501	Triangular wire 25 m
2090	Box for K4500
K4514	Direct wire feeder with T-handle
2085	Cut-out spring



Videos



See online



AUTO GLASS REPLACEMENT CONSUMABLES



K4503
Four edge wire 25 m



K4503-1
Four edge wire 50 m



K4501
Triangular wire 25 m



K4502
Triangular wire 50 m



R930020D
Triangular wire 50 m spec. for
Cut-out



K4550A
Square wire spec. 50 m



K4504
Gold wire 22,5 m



R930017B
Gold wire 3 m



R840016
Piano wire 10 m



K45HGF-5
Fiberline tensile strenght
260kg



K4500H
Spider fiber line tensile
strenght 165 kg



K4506
Blade for cold knife 19 mm
Ultrawiz



K4507
Blade for cold knife 25 mm
Ultrawiz



K4508
Blade for cold knife 35 mm
Ultrawiz



K4524
Blade L-shape 19 mm for
aircutter



K4525
Blade L-shape 25 mm for
aircutter



R950072
Blade straight/curved 35 mm
for aircutter



R950081
Blade straight 90 mm for
aircutter



R950097
Blade straight 57 mm for
aircutter



EES-804
Holder for 100 mm blade
Equalizer



EES-808
Holder for 200 mm blade
Equalizer



EES-812
Holder for 300 mm blade
Equalizer



ESB-1304
Blade 100 mm serrated
Equalizer



ESB-1308
Blade 200 mm serrated
Equalizer



ESB-1312
Blade 300 mm serrated
Equalizer



K4510
Pinchweld scraper blade 12
mm x 10



K4511
Pinchweld scraper blade 16
mm x 10



K4512
Pinchweld scraper blade 12
mm x 10



K4510B
Pinchweld scraper blade 12
mm round corners x 10



K4511B
Pinchweld scraper blade 16
mm round corners x 10



K4512B
Pinchweld scraper blade 20
mm round corners x 10



R930157
Feltapplicator 105 mm



AUTO GLASS REPLACEMENT CONSUMABLES



R930157C
Feltapplicator 130 mm



K4500S
Sponge for removing silicone on glass 10 pcs



K4500T
Sponge for removing silicone on glass 100 pcs



K4903
Ceramic cleaner 500 ml spray



11905
Foam Rubber 5x5 mm roll 5 m



K4517B
Suction cup for worktable



3034
Suction cup for K4500C-1B



K4500C-1B
Cut-out unit



K4500C-2B
Cut-out unit, swivel



3014
Suction cup for holding the wire Cut-out



SHP-150-02
Pump for K4500C-1B



3062
Shaft for K4500C-1B



2090
Box for K4500



3011
Box for K4500C-1

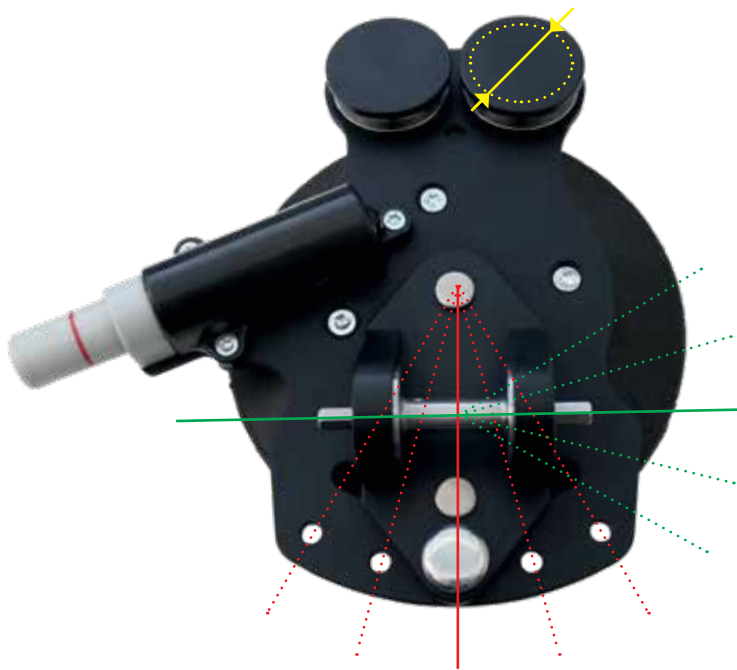


3022
Bitsholder

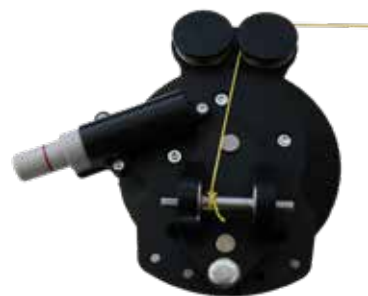


2086-2087
Quick connection

K4500C-2B - our brand new and adjustable cut-out unit with many advantages!



- Adjustability for optimal placement of wheels in proportion to windscreen corners so that the angle of the cutting wire is always optimal.
- Bigger wheels - i.e. larger contact surface as well as detensioning of the cutting wire.
- Adjustability for screwdriver attachment in the case of space constraints.



From Ø17 mm (K4500C-1B)
To Ø30 mm (K4500C-2B)





AUTO GLASS REPLACEMENT TOOLS



R840017
Wire handle wood



R840015
Cut out kit (piano wire and wood handles)



K4500J
Wireholder



K4513
Self locking wire handle with suction cup



R930184
Self locking wire handle



K4553
Counter-holder round



R930116
Counter-holder round and wire handle



K4500K
Direct wire feeder with T-handle with hole



K4514
Direct wire feeder with T-handle



R930129
Wirestarter



K4505
Cold knife easy change Ultrawiz



R840084D
Cold knife aluminium with Ultrawiz blade



R950001
Aircutter



R930021
Pinch weld scraper with 12 mm blade



K4509B
Pinch weld scraper angled with blades 12, 16 and 20 mm



K4509
Pinch weld scraper set



R840048B
Dashboard protector metal



K4500L
Dashboard protector with suction cups



R840049
Plast protector straight with suction cups



R840049A
Plast protector angle



R861012A
Clip remover



R861011
Trim strip remover / Volvo



R910080
Installation stick



K4516
Long knife heavy duty



R930053
Glass scraper



R930016B
Wiper arm remover spec. BMW



K4552
Wiper arm remover 2 arms



R930016A
Wiper arm remover



R930016E
Wiper arm remover with brass insert



R930016D
Wiper arm remover 2 arms Heavy duty



R840010
General purpose tool short



R840010A
General purpose tool long



AUTO GLASS REPLACEMENT TOOLS



R840018

General purpose tool short angle



R840009

Locking strip insert tool with 5 eyes spec. truck



R840004

Locking strip insert tool 9,5 mm eye



R840005

Locking strip insert tool 10,5 mm eye



R840006

Locking strip insert tool 11 mm eye



R840007

Locking strip insert tool 12 mm eye



R840008

Locking strip insert tool 15 mm eye



R840009A

Locking strip insert tool with 5 eyes



R840012

Ball-pliers long



R840011

Ball-pliers short



R840001

Cord insert tool 5 m



R840002

Cord insert tool 7 m



R840003

Cord insert tool 8 m



K4515B

Double suction cup with extra lip adjustable



K4515A

Double suction cup



K4515

Double suction cup with extra lip



R840054
Suction cup vacuum pump Ø
230 mm



R840051
Single suction cup



R840053
Large suction cup Pannkoke



R910056
Mouldingpress



WSP-003-S
Spider cut-out set



K4500H
Spider fiber line P8



MS-180-WSP
Spider cutting line install tool



WSP-003K-2
Spider shaft



WSP-003K-BIT-L
Spider bit short



WSP-003K-BIT-K
Spider bit short



WSP-003K-3
Spider bearing for shaft



AUTO GLASS REPLACEMENT TOOLS



K45HGM
Milwaukee cordless caulking gun 12 V 310 ml with charger and battery



K45HGK-01
Milwaukee cordless caulking gun 12 V 420 ml with charger and battery



K45HGK
Milwaukee cordless caulking gun 12 V 600 ml with charger and battery



K45HG-1
Milwaukee cartridge adapter black/black



K45HG-1A
Milwaukee sausage adapter red/black



K45HG-5A
Milwaukee barrel alu 600 ml



K45HG-6A
Milwaukee barrel alu 420 ml



K45HG-7
Milwaukee barrel clear 600 ml



K45HG-8
Milwaukee barrel clear 420 ml



K45HG-21
Milwaukee akku drill machine 12 V with charger and battery



K45HG-4
Milwaukee charger 12 V



K45HG-3
Milwaukee battery 12 V 2,0 AH



K45HG-22
Milwaukee battery 12 V 4,0 AH



K45HG-9
Milwaukee cordless multi grinder 12 V



K45HG-10
Milwaukee cordless multi grinder 12 V with battery



K45HG-11
Milwaukee cordless multi grinder 12 V with charger and battery



Don't work harder,
work smarter...



Make autoglass replacement:

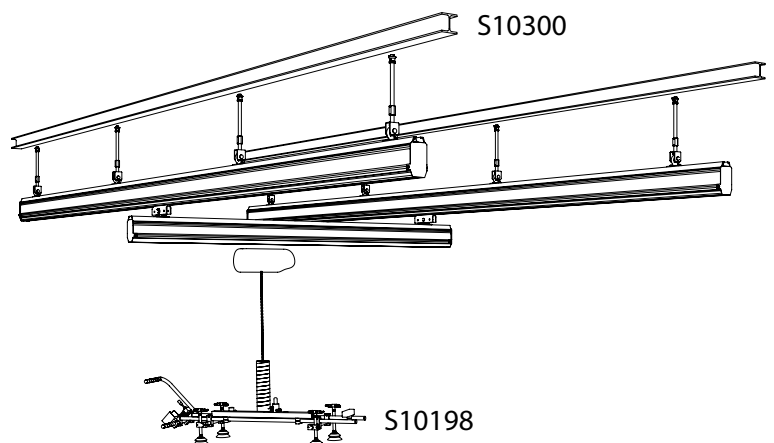
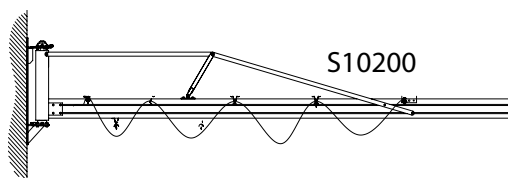
- A 1-person job
- Efficient
- Economic
- Ergonomic

S10198
Windshield lift

S10200
3m wall mounted system

S10300
3x3m ceiling-mounted rail system

Several mounting options make installation in your system simple





AUTO GLASS REPLACEMENT EQUIPMENT



K4517
Worktable for glass standard



K4517A
Worktable for glass Luxury



R840033
Worktable for glass combi
100 cm



R840033A
Worktable for glass combi
120 cm



R840033B
Worktable for glass combi
130 cm



K4600-2-1
Glasstable with tilt function
and vacuum suction cup (for
trolley)



K4600-2
Glasstable with tilt function
and vacuum suction cup with
double lip (for trolley)



K4600-2-2
Glasstable with tilt function
and vacuum suction cup (for
worktable)



K4600-2-3
Glasstable with tilt function
and vacuum suction cup with
double lip (for worktable)



K4603
1-man installation tool



K4650
Windscreen lift for car / van
max 80 kg



K4600
Windscreen lift for car / van
max 40 kg



K4700
Windscreen lift for bus / truck
max 140 kg



R840047
Workstair for tyres



41JM30
Workstair 30 cm



41JM52
Workstair 52 cm

AUTO GLASS REPLACEMENT EQUIPMENT



R870020
Auto glass shelf single 15 rooms



R870010
Auto glass shelf Double 30 rooms



R870040
Auto glass shelf van 4 rooms



R870030
Auto glass shelf wall mounting 3 rooms



R870045
Auto glass shelf van 5 rooms



R840045A
Hoodcover (available with your logo)



R840046A
Seatcover double (available with your logo)



R840052
Tension strap 5 m



Demonstration videos on
cobraxpro.com





HEADLIGHT POLISHING/COATING SYSTEM



K4300

Article #	Description
K4312	Polishing machine SXE400
K4315	Interface pad
K4311	Masking tape
K4302	Sanding disc K400 x 30
K4303	Sanding disc K800 x 30
K4304	Sanding disc K1500 x 30
K4305	Sanding disc K3000 x 10
K4314	Cleaner for headlight x 2
K4317	Polish 50 ml
K4318	Polishing pad orange x 2
K4324	Headlight coating 30 ml



HEADLIGHT POLISHING/COATING TOOLS



K4312

Polishing machine SXE400



K4302
Sanding disc K400 x 30



K4303
Sanding disc K800 x 30



K4304
Sanding disc K1500 x 30



K4305
Sanding disc K3000 x 10



K4314
Cleaner for headlight x 2



K4324
Headlight coating 30 ml



K4325
Headlight UV-coating spray



K4317
Polish 50 ml



K4318
Polishing pad orange x 2



K4311
Masking tape



K4329
Adapter for interface pad



K4315
Interface pad

COBRAX**PRO**[®]

– auto glass repair and replacement systems

Wibotec A/S

Engmarken 11, DK-8220 Brabrand

+45 87 25 11 20

mail@wibotec.com

cobraxpro.com